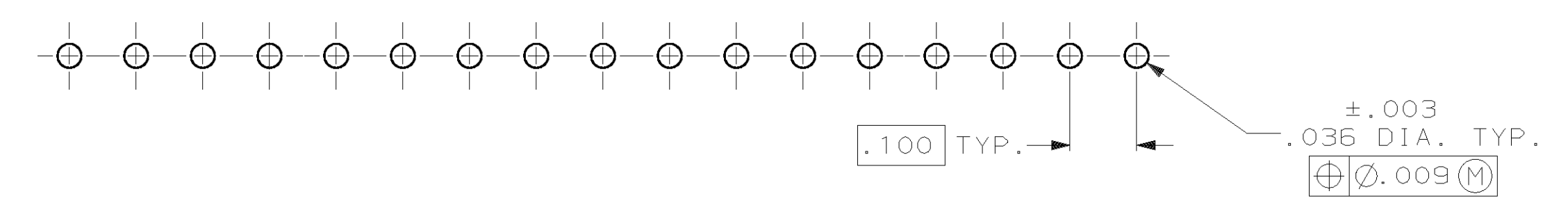
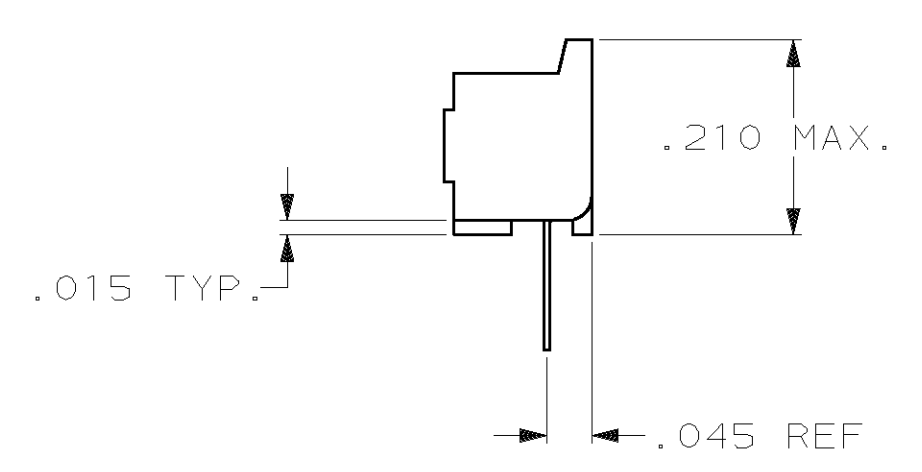
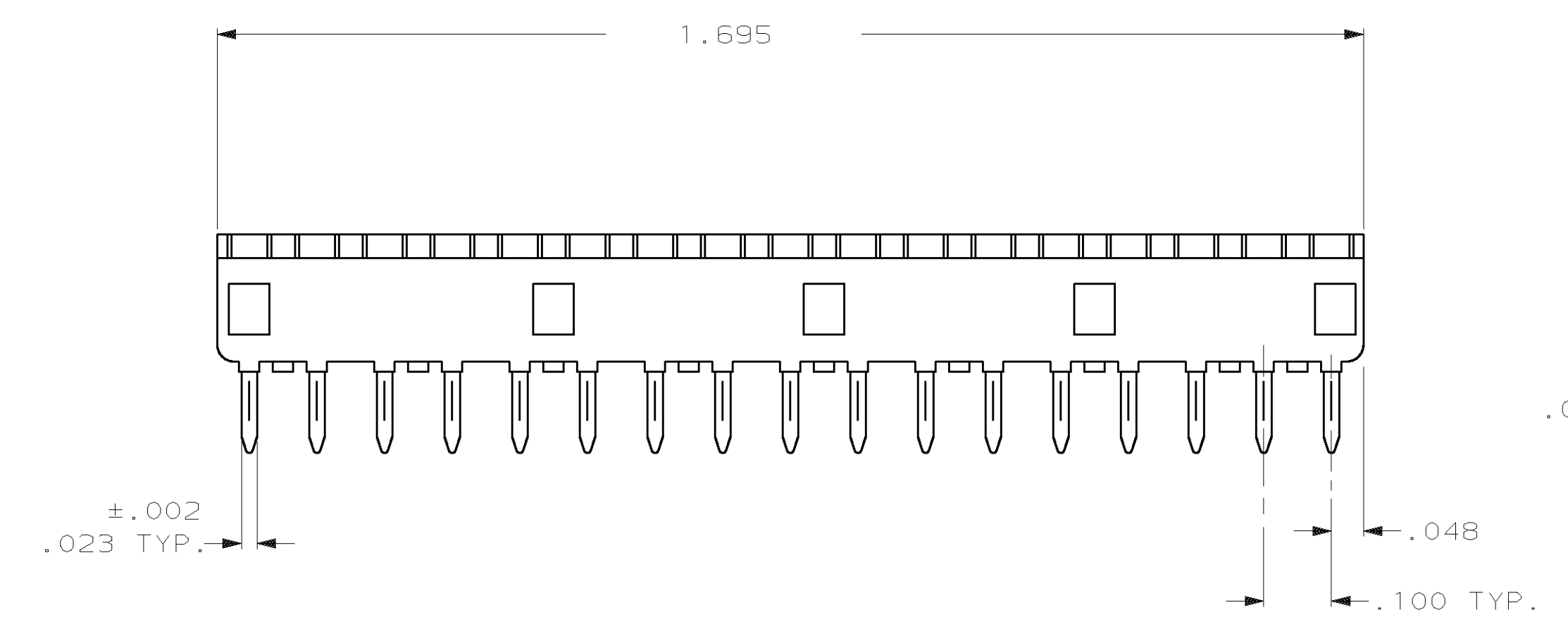
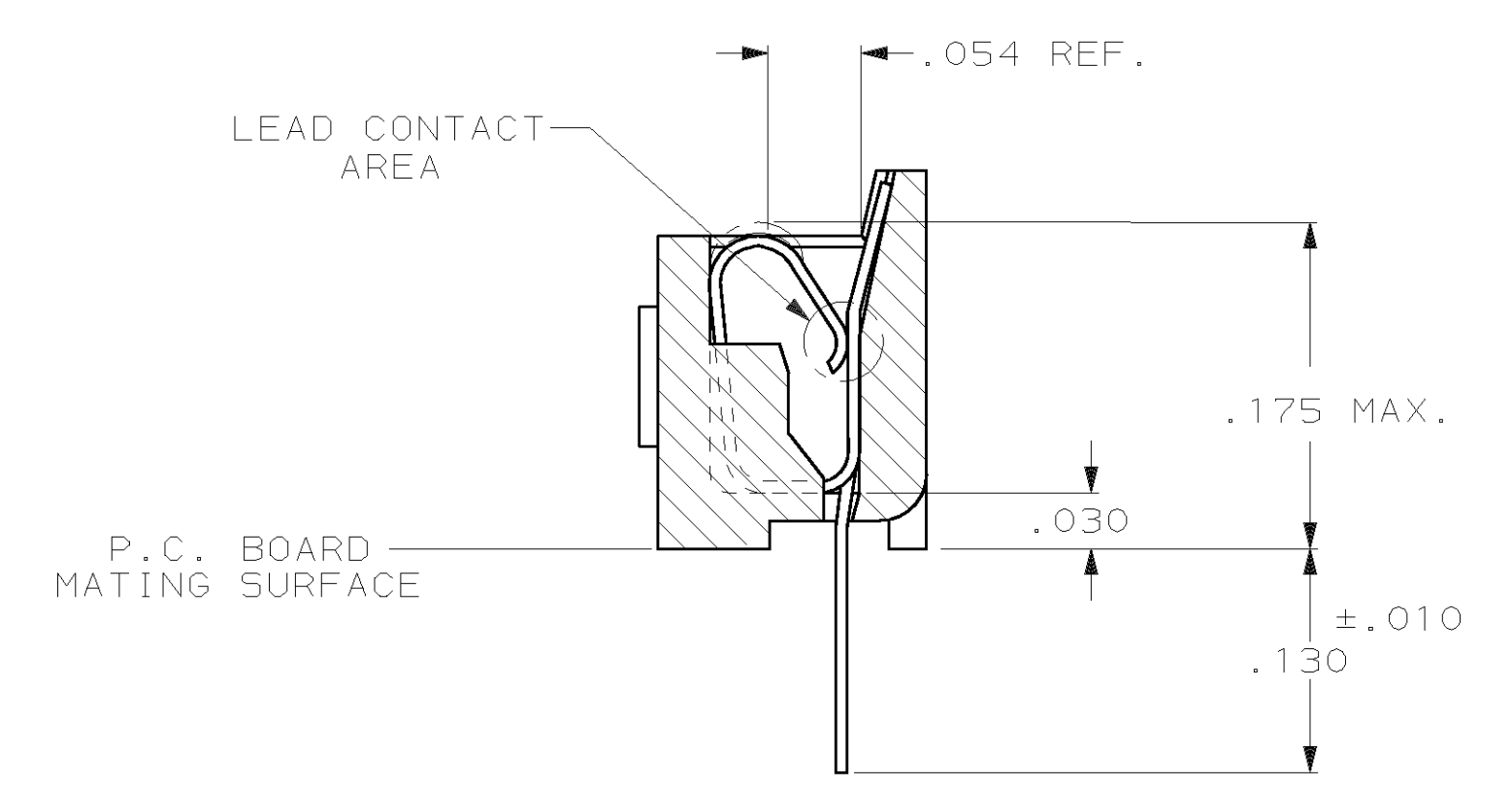


SECTION A-A
 ROTATED 90° CW
 SCALE 10:1
 FOR -6, -7 & -8 ONLY



- RECEPTACLE ACCEPTS AN .008-.014 THK. I.C. LEAD.
- TWO .000030 MIN. THK. GOLD STRIPES IN CONTACT AREA, TIN-LEAD (93-7) ON CONTACT LEGS, BALANCE OF CONTACT NICKEL PLATED.
- TWO .000015 MIN. THK. GOLD STRIPES IN CONTACT AREA, TIN-LEAD (93-7) ON CONTACT LEGS, BALANCE OF CONTACT NICKEL PLATED.
- TUBE LOADED.



SECTION A-A
 ROTATED 90° CW
 SCALE 10:1
 FOR -1, -2, -3 & 2--3 ONLY

	TINNED	PHOS. BRZ.	GLASS-FILLED THERMOPLASTIC, 94V-0, BLACK	2-643649-3
	TINNED	PHOS. BRZ.	GLASS-FILLED THERMOPLASTIC, 94V-0, BLACK	643649-8
OBSOLETE		BE. CU.	GLASS-FILLED THERMOPLASTIC, 94V-0, BLACK	643649-7
OBSOLETE	TINNED	BE. CU.	GLASS-FILLED THERMOPLASTIC, 94V-0, BLACK	643649-6
SUPSD BY	643649-2	PHOS. BRZ.	GLASS-FILLED THERMOPLASTIC, 94V-0, BLACK	643649-4
OBSOLETE	TINNED	PHOS. BRZ.	GLASS-FILLED THERMOPLASTIC, 94V-0, BLACK	643649-3
OBSOLETE		BE. CU.	GLASS-FILLED THERMOPLASTIC, 94V-0, BLACK	643649-2
	TINNED	BE. CU.	GLASS-FILLED THERMOPLASTIC, 94V-0, BLACK	643649-1
	CONTACT FINISH		CONTACT MAT'L	HOUSING MATERIAL
				PART NO.

THIS DRAWING IS A CONTROLLED DOCUMENT.

DIMENSIONS INCHES	TOLERANCES UNLESS OTHERWISE SPECIFIED.	DWN M. CYRUS 6-1-84	AMP Incorporated Harrisburg, PA 17105-3608
0 PLC ±.005	1 PLC ±.005	CHK N. JONES 7-3-84	AMP
2 PLC ±.005	3 PLC ±.005	APVO J. GRAY 7-10-84	SOCKET ASSY, SIP, 17 POS, DIPLOMATE DL
4 PLC ±.005	ANGLES ±.1°	PRODUCT SPEC 108-1066	SIZE 108-1066
MATERIAL SEE TABLE	FINISH SEE TABLE	APPLICATION SPEC 114-1049	SCALE 5:1
		WEIGHT -	SHEET 1 OF 1
		CUSTOMER DRAWING	REV L